

ASSEMBLY INSTRUCTION

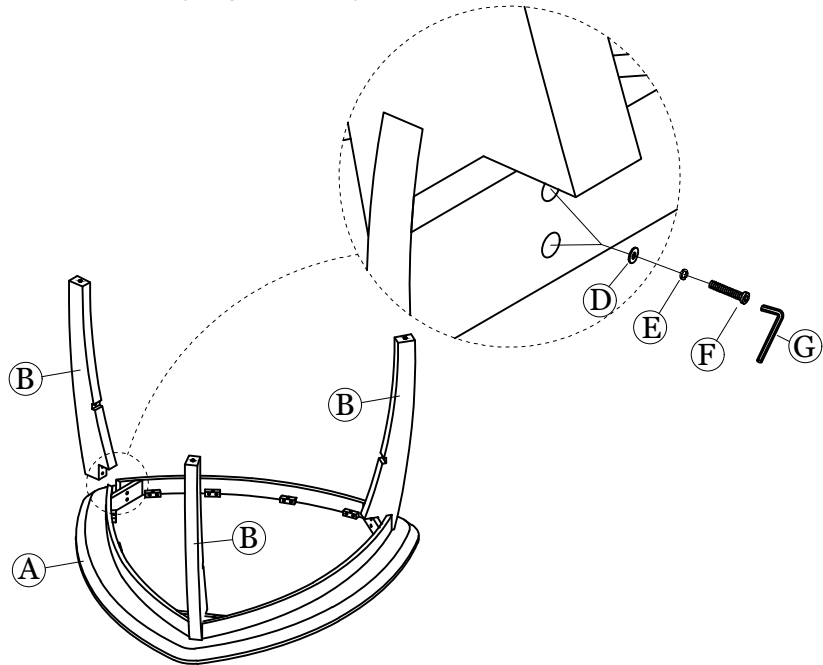
Model: D8192-TRI-BT / D8192-TRI-DT

Description: REAL MARBLE TRIANGLE TABLE

Thank you for purchasing this quality product. Be sure to check all packing material carefully for small parts that may have come loose inside the carton during shipment.

Step 1: Affix the leg (B) with the table top (A) by (D),(E),(F),(G)

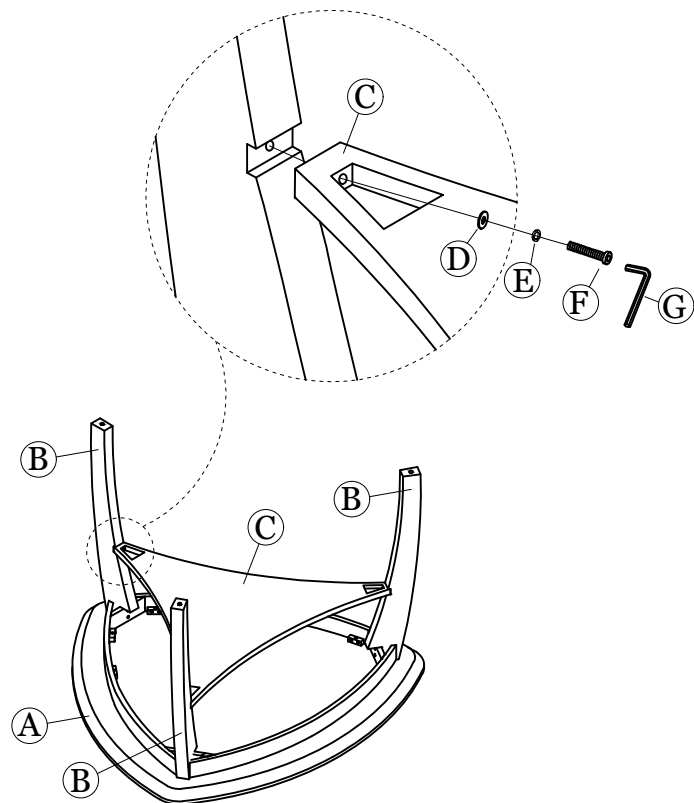
Note: Don't fully tighten any bolts until last step.



Step 2: Affix the table shelf (C) with the table leg (B)

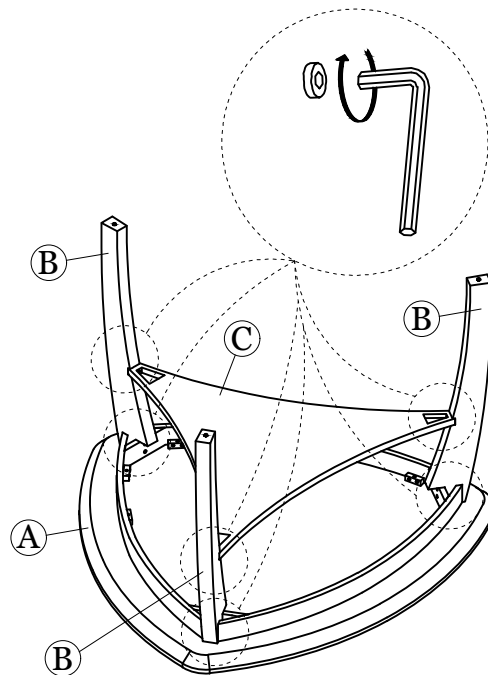
by (D),(E),(F),(G)

Note: Don't fully tighten any bolts until last step.



PARTS			
A		Table Top	1pc
B		Table Leg	3pcs
C		Table Shelf	1pc
HARDWARE LIST			
D		Ø5/16"*19mm	9pcs
E		Ø5/16"	9pcs
F		Ø5/16"*2-1/4"	9pcs
G		M5	1pc

Step 3: Fully tighten all bolts



Step 4: Completed

