

*ASSEMBLY INSTRUCTIONS*  
*COASTER FINE FURNITURE*



*Fine Furniture for every stage of life*

181005  
**SERVING CART**

ITEM:181005



# ASSEMBLY INSTRUCTIONS

## ASSEMBLY TIPS:

1. Remove hardware from box and sort by size.
2. Please check to see that all hardware and parts are present prior to start of assembly.
3. Please follow attached instructions in the same sequence as numbered to assure fast & easy assembly.

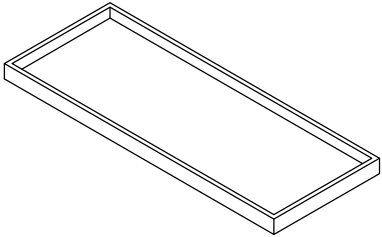
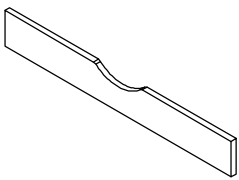
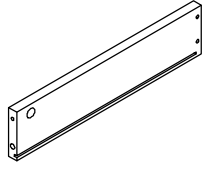
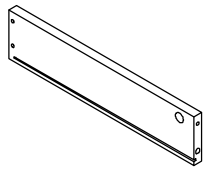
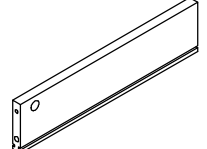


## WARNING!

1. Don't attempt to repair or modify parts that are broken or defective. Please contact the store immediately.
2. This product is for home use only and not intended for commercial establishments.

ASSEMBLY TIME 50 MINUTES

## PARTS IDENTIFICATION

A	TRAY		2PCS
B	DRAWER FRONT PANEL		1PC
C	DRAWER LEFT PANEL		1PC
D	DRAWER RIGHT PANEL		1PC
E	DRAWER MIDDLE PANEL		2PCS

ITEM:181005

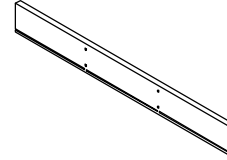
# ASSEMBLY INSTRUCTIONS

## PARTS IDENTIFICATION



F

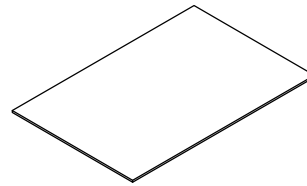
DRAWER BACK PANEL



1PC

G

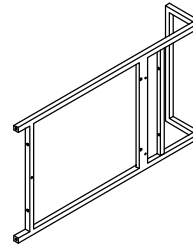
DRAWER BOTTOM PANEL



3PCS

H

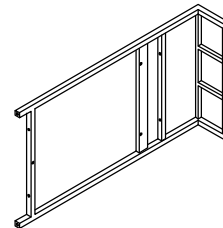
LEFT FRAME



1PC

I

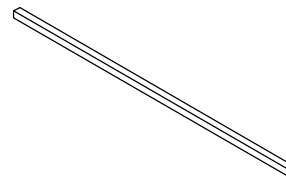
RIGHT FRAME



1PC

J

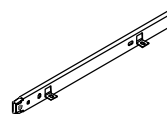
CROSSBAR



3PCS

K

LEFT SLIDE RAIL



1PC

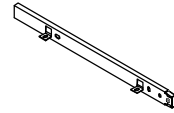
ITEM:181005

# ASSEMBLY INSTRUCTIONS

## PARTS IDENTIFICATION

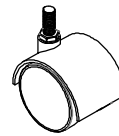


L RIGHT SLIDE RAIL



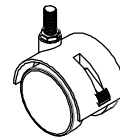
1PC

M CASTER



2PCS

N CASTER-LOCK

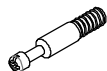


2PCS

Z

## HARDWARE IDENTIFICATION

1 CAM BOLT  
(38mm)



4PCS

2 CAM LOCK  
( $\phi$ 15mm)



4PCS

3 WOOD DOWEL  
(8 x 30mm)



4PCS

4 SMALL BOLT  
(3/16" x 12mm)



4PCS

5 SHORT SCREW  
(3.5 x 12mm)



4PCS

6 SHORT BOLT  
(1/4" x 25mm BLK)



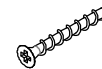
8PCS

7 LONG BOLT  
(1/4" x 38mm BLK)



6PCS

8 LONG SCREW  
(8 x 32mm)



8PCS

9 STICKER



8PCS

10 GLUE



1PC

11 ALLEN WRENCH  
(4mm)



1PC

12 HEXAGONAL KEY  
(8mm)



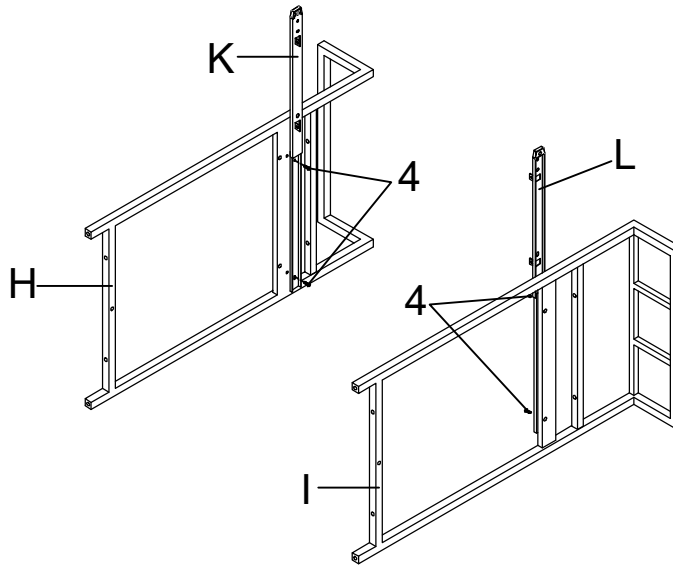
1PC

ITEM:181005

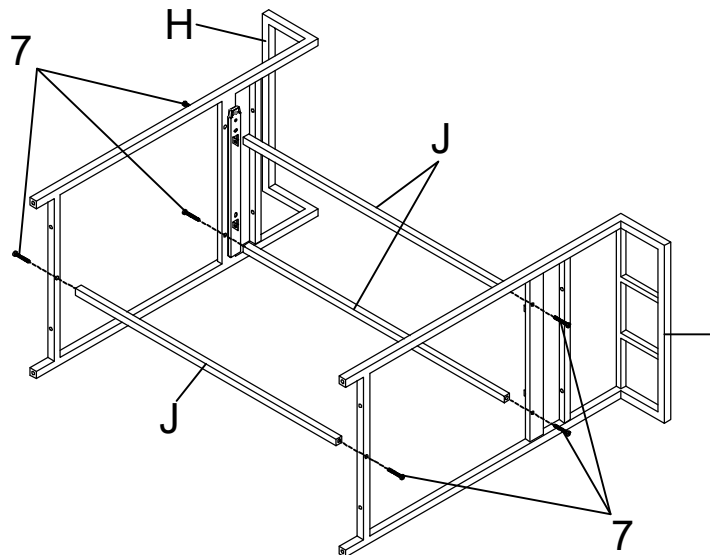
# ASSEMBLY INSTRUCTIONS



**STEP 1** Do not tighten until each step is completed or instructed.



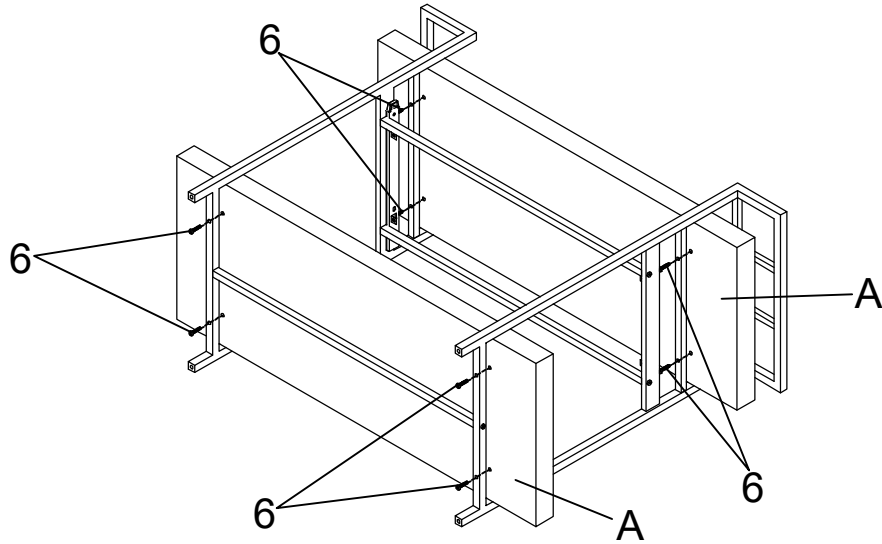
## STEP 2



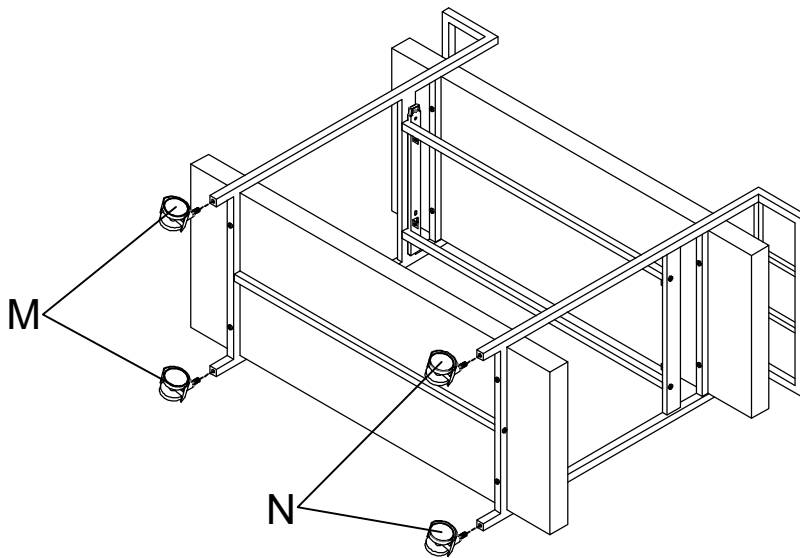
ITEM:181005

# ASSEMBLY INSTRUCTIONS

## STEP 3



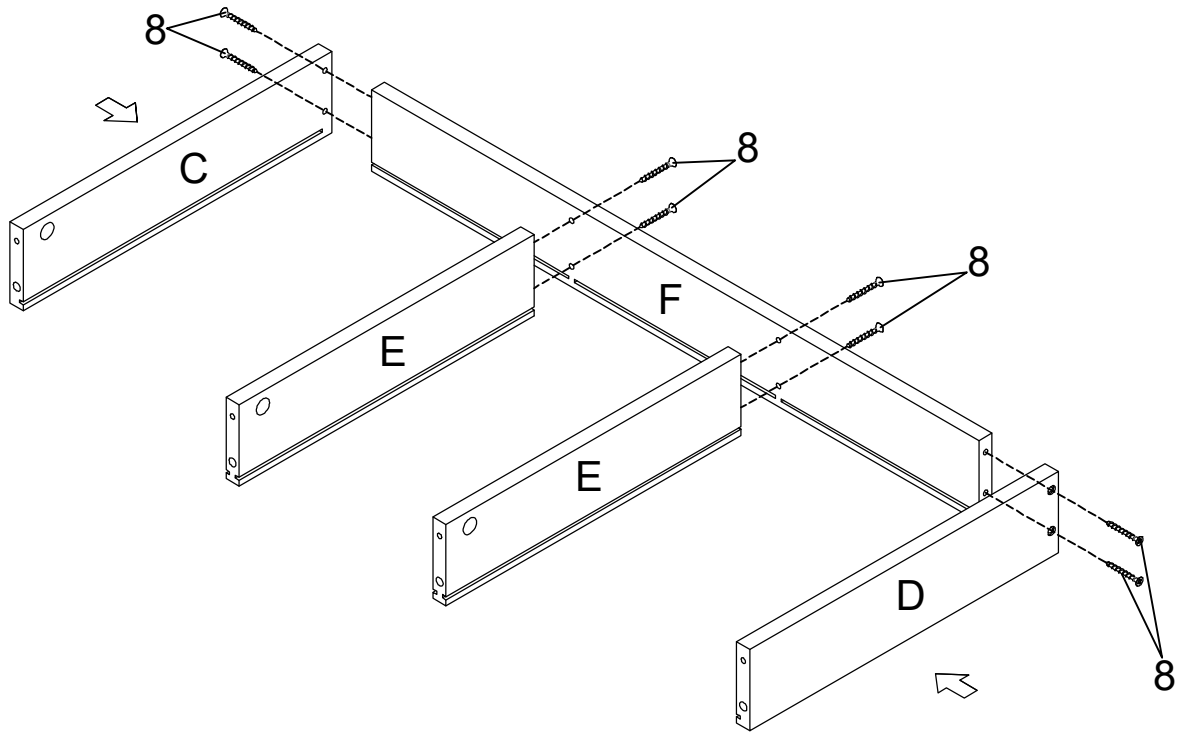
## STEP 4



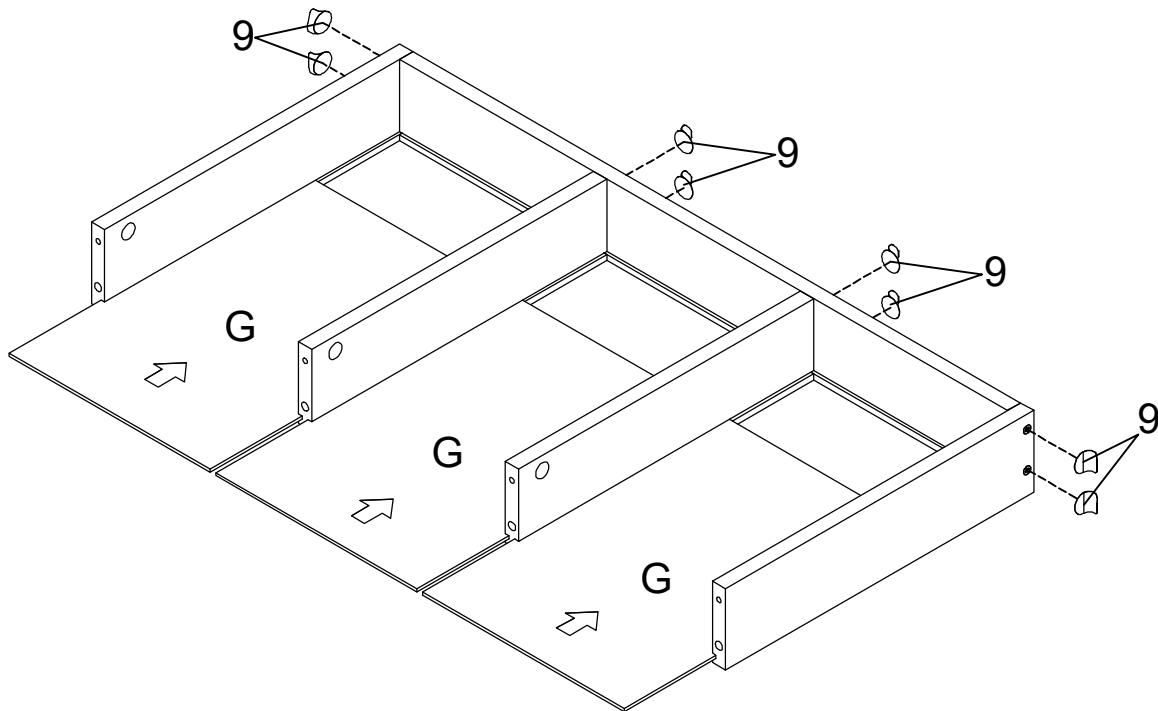
# ITEM:181005 ASSEMBLY INSTRUCTIONS



## STEP 5



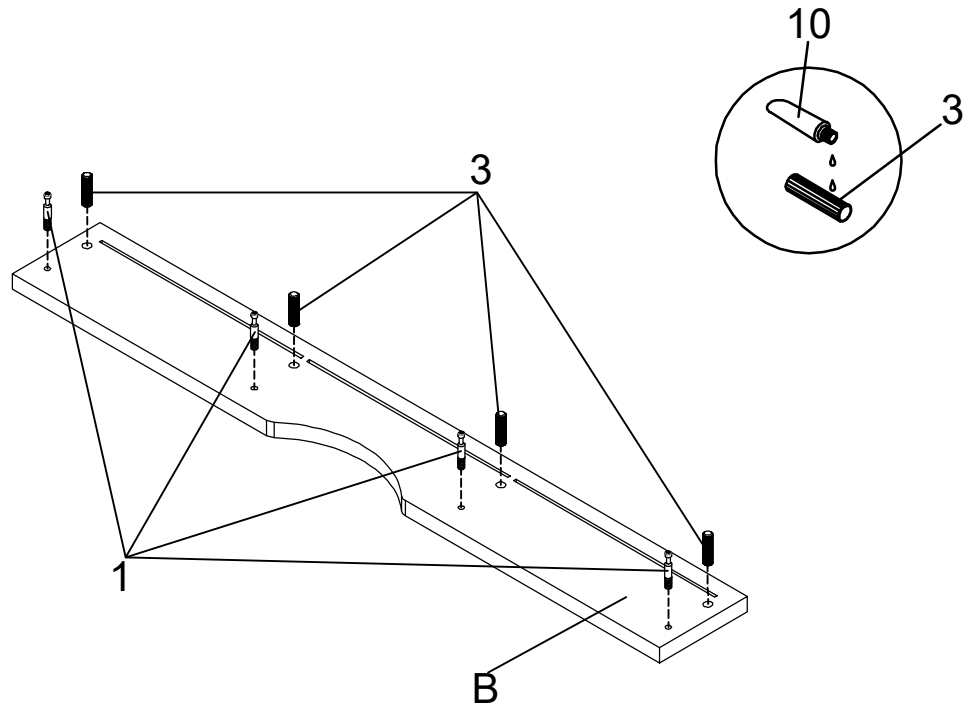
## STEP 6



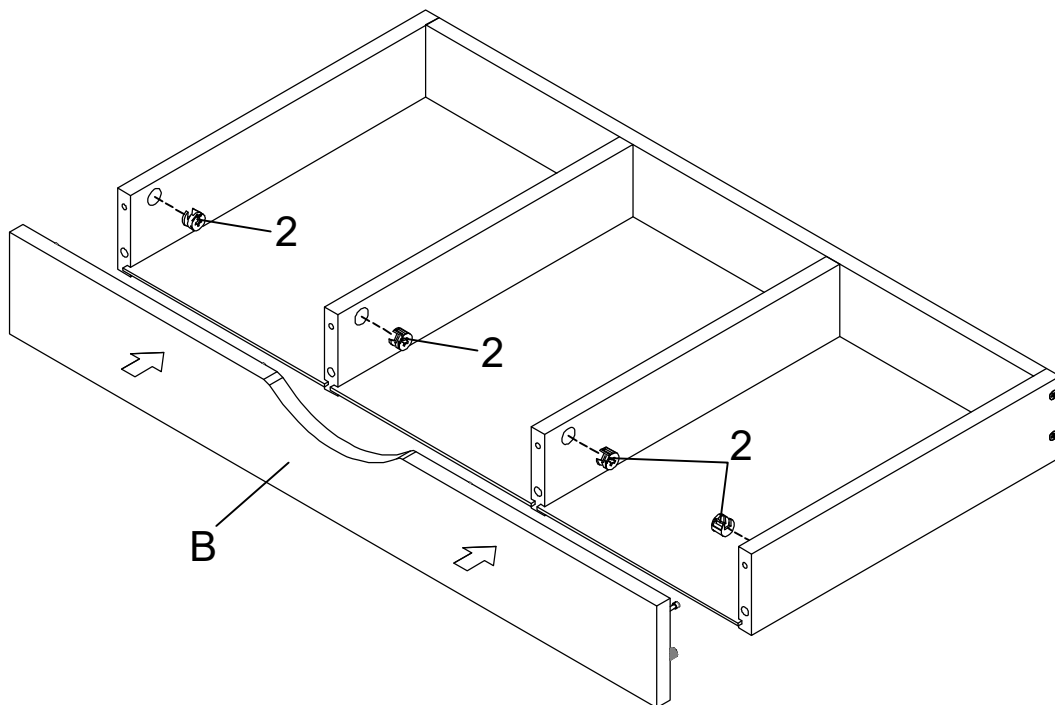
ITEM:181005

# ASSEMBLY INSTRUCTIONS

## STEP 7



## STEP 8

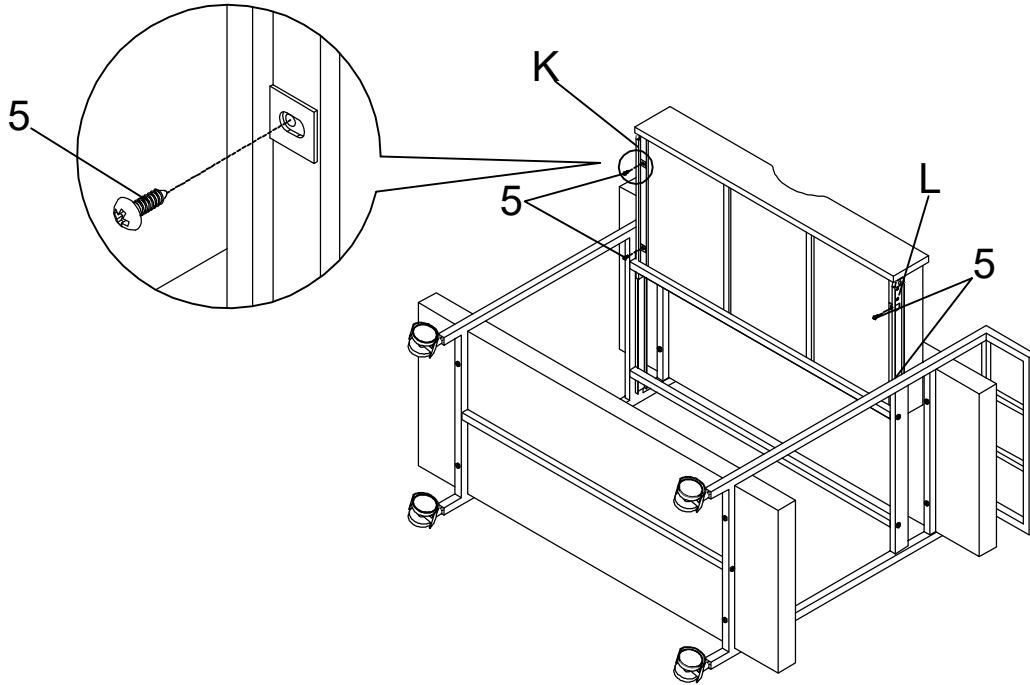




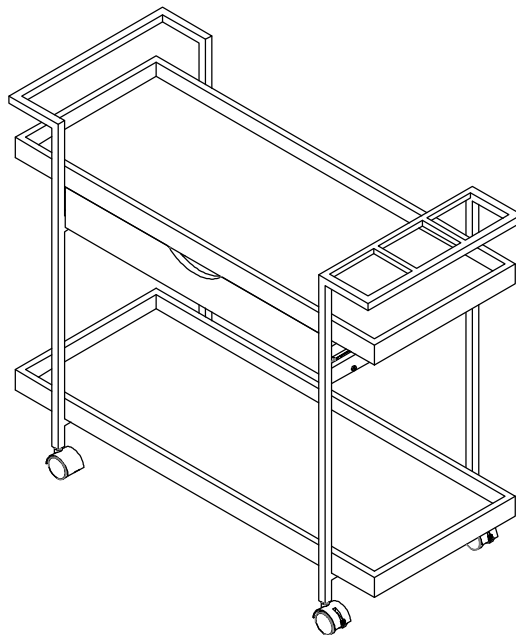
ITEM:181005

# ASSEMBLY INSTRUCTIONS

## STEP 9



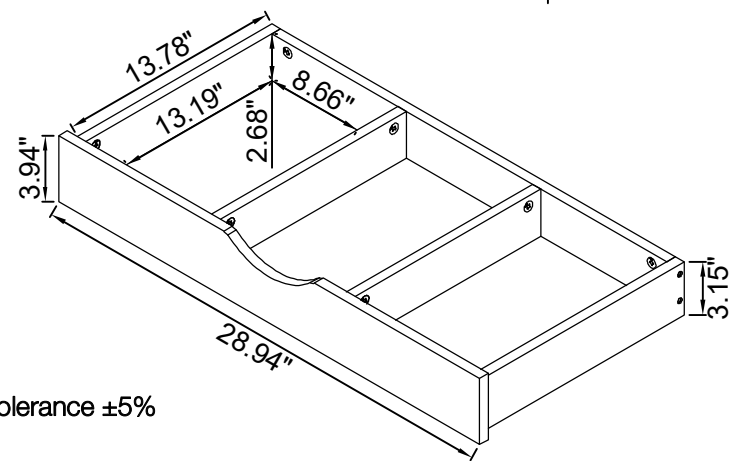
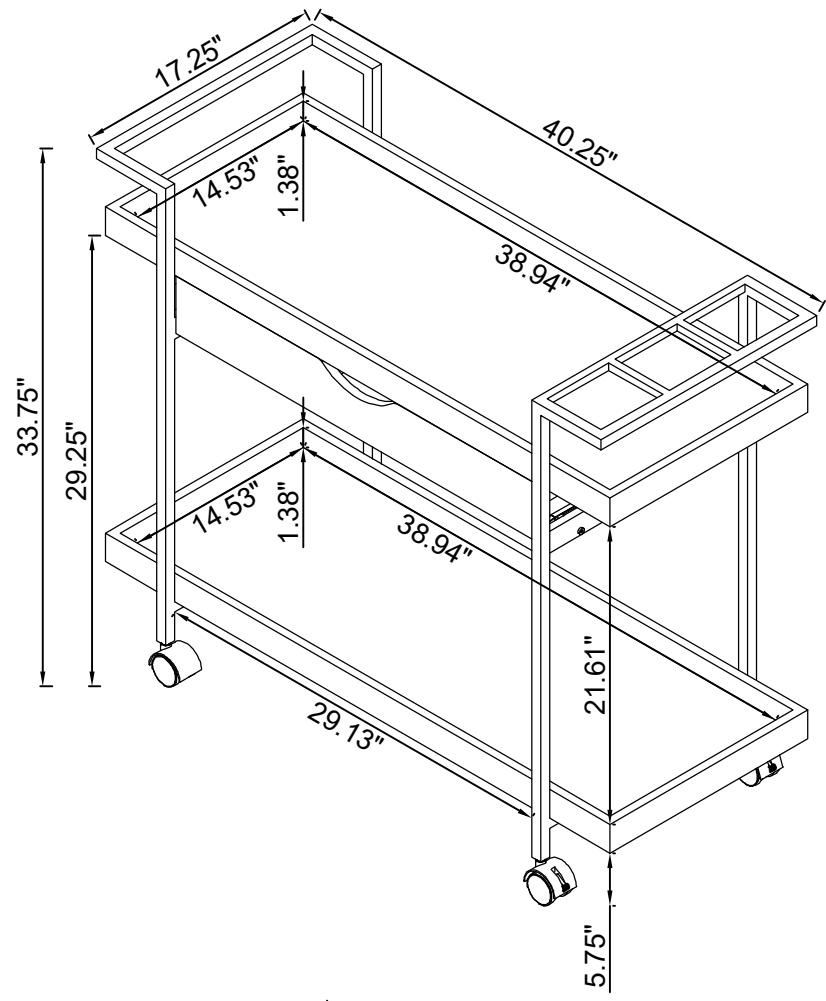
## STEP 10 COMPLETE



# ITEM:181005 ASSEMBLY INSTRUCTIONS



**Product Size : 1022 X 438 X 857 H (MM)**  
**Product Size : 40.25" X 17.25" X 33.75"**



Note : Dimension tolerance  $\pm 5\%$