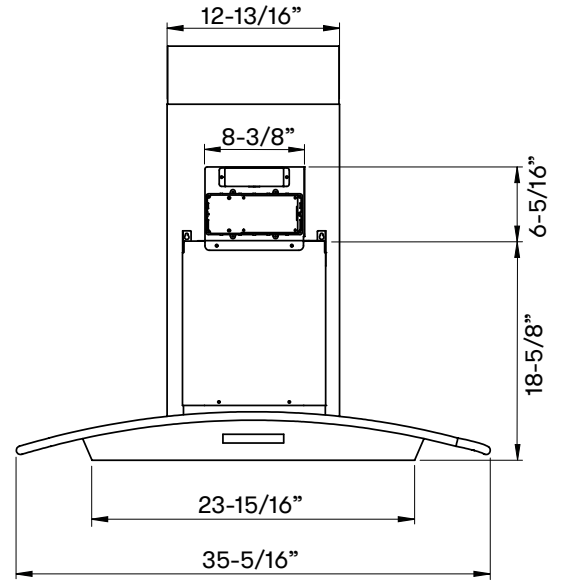
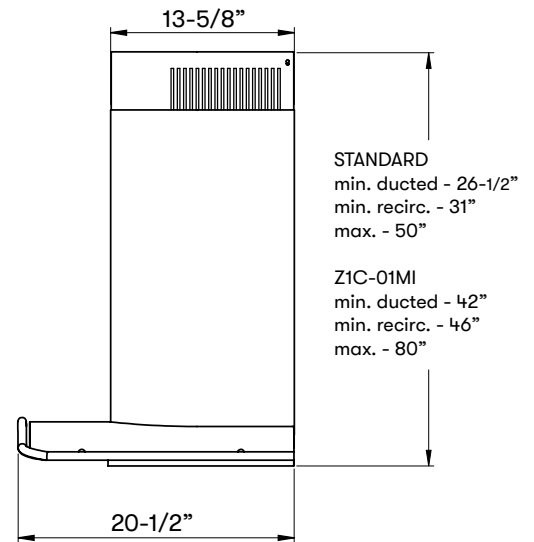


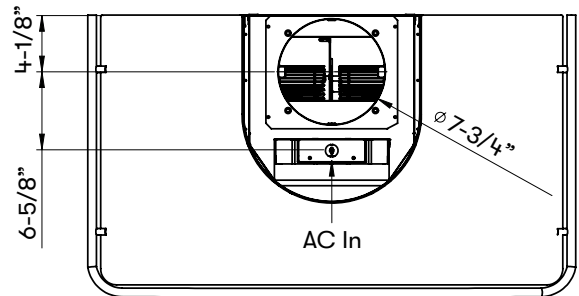
	INTERNAL BLOWER STANDARD	INTERNAL BLOWER with ACT™ AIRFLOW CONTROL TECHNOLOGY™*		
Min. - Max. CFM	200 - 700	200 - 590	200 - 390	200 - 290
Min. - Max. Sones	0.8 - 6	*AIRFLOW CONTROL TECHNOLOGY™ (ACT™) is an exclusive feature built into specific Zephyr hoods which can limit the maximum blower CFM to meet local code requirements.		



FRONT



SIDE



TOP



ACT™

POWERWAVE™

**MODEL**

Glass Canopy	ZMI-M90CG
Stainless Steel Canopy	ZMI-M90CS
Size	36"

**BLOWER PERFORMANCE**

Blower CFM (Min. - Max.)	200 - 700
Sones (Min. - Max.)	0.8 - 6
ACT 590 CFM (Min. - Max.)	200 - 590
ACT 390 CFM (Min. - Max.)	200 - 390
ACT 290 CFM (Min. - Max.)	200 - 290

**FEATURES**

Zephyr Connect App Compatible	Yes
Alexa & Google Home Compatible	Yes
ACT™ Technology	590, 390, 290
Controls	Proximity Touch
Speed Levels	6*
Auto Delay-Off	Yes
CleanAir Function	Yes
Lighting	LumiLight LED, 6W x2
Tri-Level Lighting	Yes
Filters	Aluminum Mesh x1
Recirculating Option	Yes
Extension Duct Cover Option	Yes, Up to 12' Ceiling
ADA Compliant	Yes, with Zephyr Connect or Remote

**DUCT SPECIFICATIONS**

Vertical Internal Blower	8" Round
Horizontal Internal Blower	NA
AC POWER	120V, 60Hz at Max. 5A

**OPTIONAL ACCESSORIES**

Wireless Remote Control	14000005
Recirculating Kit	ZRC-00MI
Extension Duct Cover	Z1C-01MI
Make-Up Air Kit	MUA008A

<b>MOUNTING HEIGHT RANGE**</b>	24" - 34"
--------------------------------	-----------

**WARRANTY**

3 years parts, 1 year labor

CEILING HEIGHT		8'	8.5'	9'	9.5'	10'	10.5'	11'	12'
STANDARD DUCT COVER	Ducted Mounting Height*	24" - 33.5"	24" - 34"	24" - 34"	28" - 34"	34" - 34"	NA	NA	NA
	Recirc Mounting Height*	24" - 29"	24" - 34"	24" - 34"	28" - 34"	34" - 34"	NA	NA	NA
EXTENSION DUCT COVER	Ducted Mounting Height*	NA	24" - 24"	24" - 30"	24" - 34"	24" - 34"	24" - 34"	24" - 34"	28" - 34"
	Recirc Mounting Height*	NA	NA	24" - 26"	24" - 32"	24" - 34"	24" - 34"	24" - 34"	28" - 34"

\*When ACT™ is enabled the maximum speed levels will change. ACT 590 CFM = 5 speeds, ACT 390 CFM = 4 speeds and ACT 290 CFM = 3 speeds.

\*\*Mounting height refers to distance between top of a 36" tall cooking surface and bottom of hood.

**Zephyr Connect App**

Zephyr Connect App allows you to control your range hood from anywhere using your mobile device. It includes real time diagnostics and provides important product information. All you need is a WiFi connection with access to the internet. It seamlessly integrates with your smart devices such as Amazon Alexa or Google Home smart speaker for voice activation. Available to download from Google Play or the App Store.

**Airflow Control Technology™ (ACT™)**

is an exclusive feature built into specific Zephyr hoods which can limit the maximum blower CFM to meet local code requirements.

**PowerWave™ 3-Phase Blower Technology**

delivers best-in-class performance with unparalleled quiet operation. It provides more power while minimizing noise and improving efficiency.